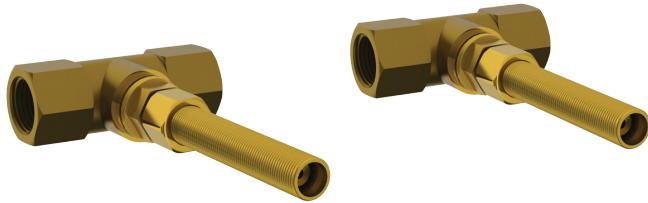




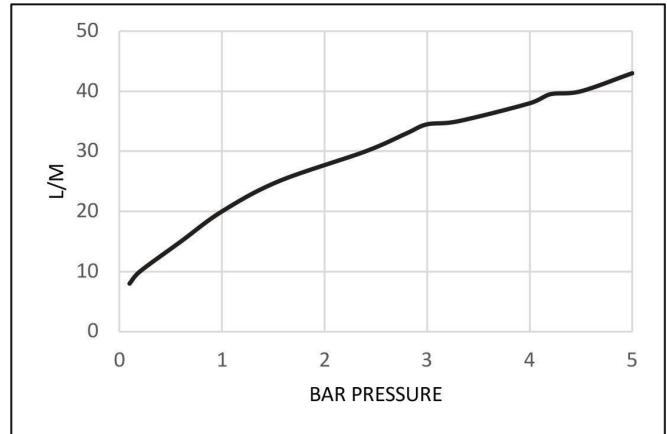
# Concealed Parts CFP02

Wall Mounted 3 Hole Basin Set

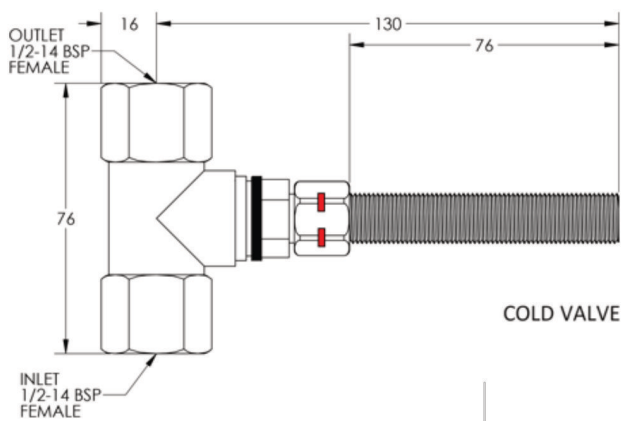
## Product Image



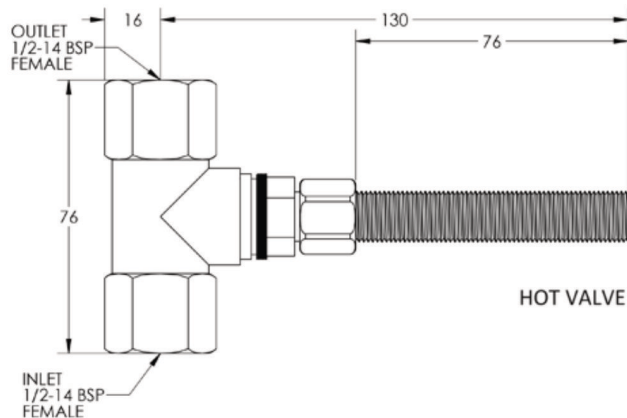
## Flow Rate



## Technical Drawing



Cuts in hex bolt indicate clockwise turning



## Product Description

- ◆ Flow Rate at 3 Bar Pressure: 35 litres per minute
- ◆ Connection Size: 1/2"
- ◆ Connection Type: 4 x Female
- ◆ Includes Spout Connection Kit

## Additional Components

N//A

## Certification



## Product Care

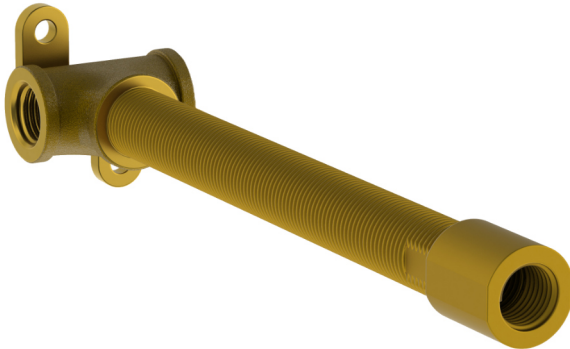
- ◆ Our finishes can be delicate and require both drying after use as well as careful & regular cleaning routines.
- ◆ Water pH should be balanced between 6.5 - 8.5 and should be free of minerals.
- ◆ Normal cleaning should only be done with mild liquid soap in warm water, applied with a microfibre cloth
- ◆ Mineral buildup can be removed with lemon juice in water, applied with a microfibre cloth and then rinsed
- ◆ Occasional application of car body wax will help reduce mineral based standing water marks
- ◆ Our "Live" finishes are designed to tarnish.



## Spare SPR016

Wall Mounted Outlet Connector Set for 2 Inlets

### Product Image



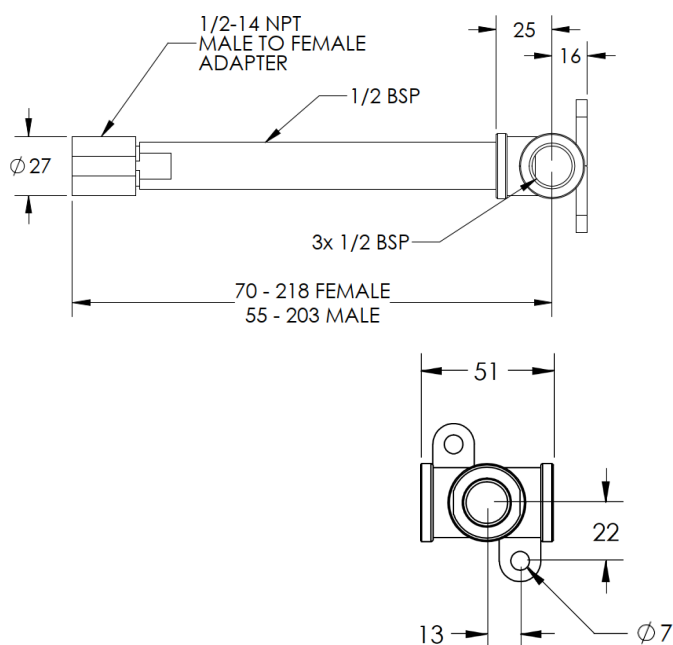
### Product Description

- ◆ For use with dual water feed products
- ◆ Made from solid brass
- ◆ Use double screw wall fixings

### Finishes Available

N/A

### Technical Drawing



### Additional Components

N/A

### Certification

N/A

### Flow Rate

N/A

### Product Care

- ◆ Our finishes can be delicate and require both drying after use as well as careful & regular cleaning routines.
- ◆ Water pH should be balanced between 6.5 - 8.5 and should be free of minerals.
- ◆ Normal cleaning should only be done with mild liquid soap in warm water, applied with a microfibre cloth
- ◆ Mineral buildup can be removed with lemon juice in water, applied with a microfibre cloth and then rinsed
- ◆ Occasional application of car body wax will help reduce mineral based standing water marks
- ◆ Our "Live" finishes are designed to tarnish.