



Concealed Parts CFP20

Wall Mounted 3 Hole Bath Set

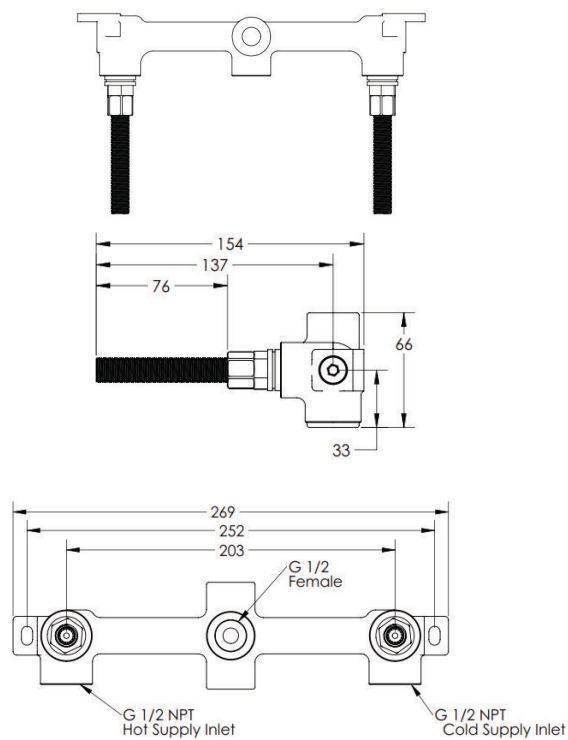
Product Image



Flow Rate

N//A

Technical Drawing



Product Description

- ◆ Cannot be used with a Diverter Valve.
- ◆ Connection Size: 1/2"
- ◆ Connection Type: 2 x Female
- ◆ Supplied with Spout Connection Kit

Additional Components

N//A

Product Care

- ◆ Our finishes can be delicate and require both drying after use as well as careful & regular cleaning routines.
- ◆ Water pH should be balanced between 6.5 - 8.5 and should be free of minerals.
- ◆ Normal cleaning should only be done with mild liquid soap in warm water, applied with a microfibre cloth
- ◆ Mineral buildup can be removed with lemon juice in water, applied with a microfibre cloth and then rinsed
- ◆ Occasional application of car body wax will help reduce mineral based standing water marks
- ◆ Our "Live" finishes are designed to tarnish.

Certification

