



Highline HIL01

Deck Mounted 3 Hole Basin Set with Transitional Spout: Lever Handle

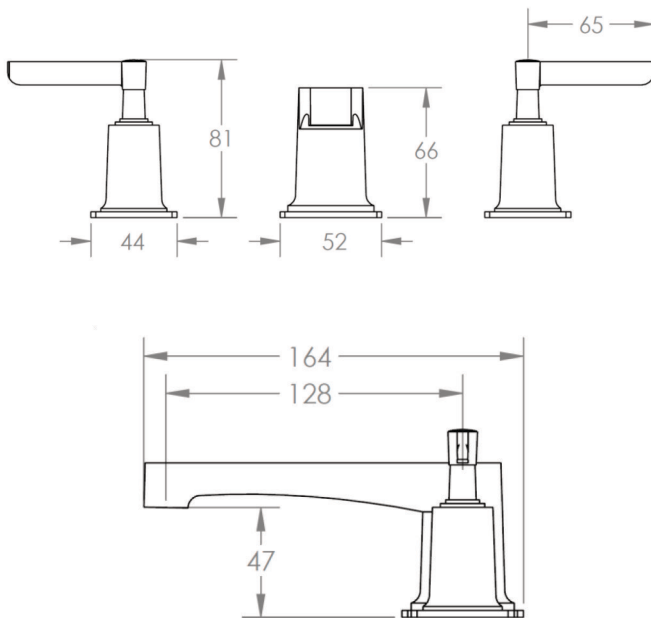
Product Image



Product Description

- ◆ Separate 1/4 turn hot and cold valve controls
- ◆ Removable spout aerator for cleaning
- ◆ Coloured flow restrictor fixed into aerator
- ◆ 2 x 1/2" Flexible Hose Connections included
- ◆ Requiring 3 x 38mm diameter holes in counter
- ◆ Recommended spacing: 100mm (centre-to-centre)
- ◆ Maximum counter thickness: 30mm
- ◆ Ensure balanced feed pressures between 1-5 bar

Technical Drawing



Flow Rate

4.5 litres per minute at 3 bar pressure

Finishes Available

PC Polished Chrome
BN Brushed Nickel
GM Gun Metal
NB Natural Brass
PN Polished Nickel
MB Matt Black
PB Polished Brass
AB Aged Brass
AN Aged Nickel
BM Black Mirror
BB Brushed Brass
HB Heritage Brass

OR Oil Rubbed Bronze
PT Pewter
RB Rustica Brass
TB Tarnished Brass
VB Vintage Brass
VC Vintage Copper
BG Brushed 24k Gold
CH Charcoal
GL Custom Gloss Lacquer
MT Custom Matt Lacquer
PG Polished 24k Gold

Additional Components

Order Basin Waste Separately. Our Wastes are only compatible with our trap. The 2 items must be ordered together (see our Ancillaries)

Certification



Product Care

- ◆ Our finishes can be delicate and require both drying after use as well as careful & regular cleaning routines.
- ◆ Water pH should be balanced between 6.5 - 8.5 and should be free of minerals.
- ◆ Normal cleaning should only be done with mild liquid soap in warm water, applied with a microfibre cloth
- ◆ Mineral buildup can be removed with lemon juice in water, applied with a microfibre cloth and then rinsed
- ◆ Occasional application of car body wax will help reduce mineral based standing water marks
- ◆ Our "Live" finishes are designed to tarnish.